

Line regulator **LR3300 Series**

➤ *Stainless steel*

➤ *Medium inlet pressure*

➤ *Single stage*



- This series of stainless steel single-stage regulators is recommended for use with corrosive and high purity non-corrosive gases and is ideally suited to low inlet pressure applications. These regulators are often used for the point of use control of gases in distribution pipework systems. For maximum cleanliness stainless steel is often the preferred material in high purity non-corrosive applications.

Specifications

Material

Body: 316L stainless steel
 Bonnet: nickel plated brass
 Seat: Teflon®
 Inlet filter: 316L stainless steel
 Diaphragm: 316L stainless steel
 Gauge: 316L stainless steel, 64 mm diameter

Pressure/Temperature rating

Maximum inlet pressure: 27 bar.g
 Temperature range: -40 °C to +74 °C

Connections

Inlet: 1/4 inch NPT female
 Outlet: 1/4 inch NPT female
 Relief valve: 1/4 inch NPT male

Flow

CV=0.15
 The flow coefficient expresses the flow capability of the regulator.
 CV is the flow of air in standard ft³/min for each psi of inlet pressure.

Design leak rate

<2 x 10⁻⁸ mbar.l/sec He equivalent

Weight

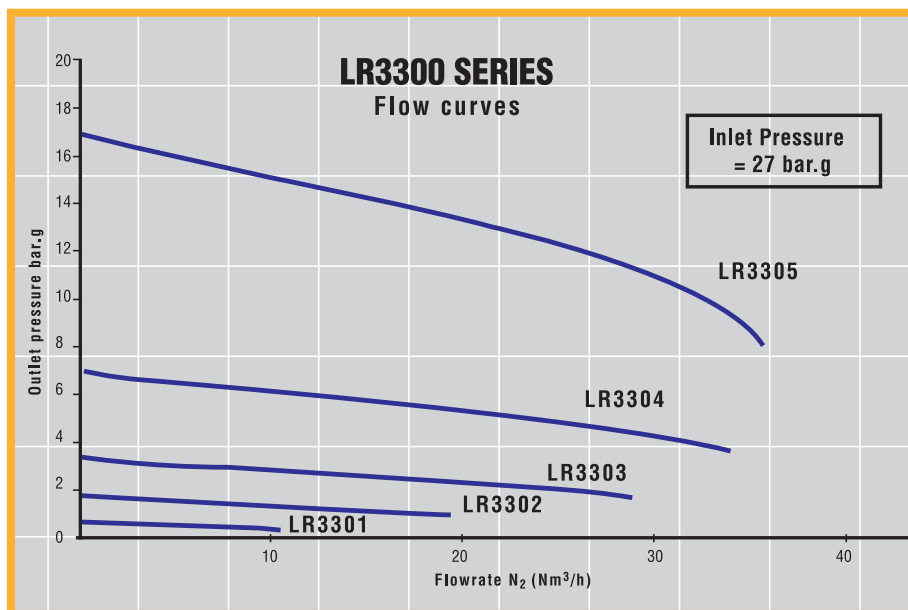
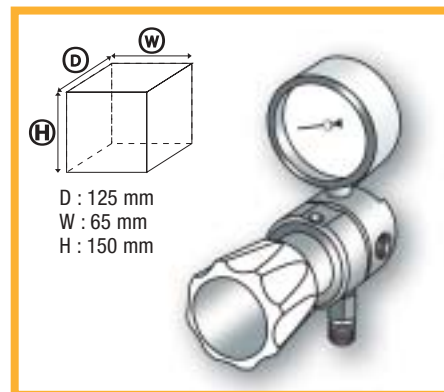
1.1 kg

Installation dimensions

WxHxD: 65 mm x 150 mm x 125 mm

Design features

- Inlet filter for maximum reliability
- Ultrasonically cleaned for high purity gas handling
- Relief valve fitted as standard for protection against over pressurisation
- Individually tested and certified to assure maximum leak-tightness and reliability
- Panel mounting facility using 2 threaded holes in the rear of the regulator



Ordering information

Order Code	Recommended outlet pressure range (bar.g)	Design capacity at maximum outlet pressure (*) (Nm ³ /h)	Echelle du manomètre de sortie (bar.g)
LR3301	0.1 to 0.7	10	-1.0 to +1.5
LR3302	0.2 to 1.7	19	-1.0 to +3.0
LR3303	0.5 to 3.5	28	-1.0 to +5.0
LR3304	1.0 to 7.0	34	-1.0 to +9.0
LR3305	5.0 to 17.0	36	0.0 to +25.0

(*) For outlet pressure drops, refer to the flow curves

- OPTIONS**
- C** Cleaning for oxygen service
 - D** Helium leak rate certification
 - E** Panel mounting kit, consists of 2 nuts
 - F** Extra 5 micron inlet filter

- H** Compression fitting on outlet (available in various sizes)
- M** Mounting on a back plate
- R** No relief valve



Panel-mounted line regulator

Ireland
 Air Products Ltd.
 52, Broomhill Road - Tallaght - Dublin 24
 Tel. : +353 (1) 463 4242
 Fax : +353 (1) 463 4292
 E-mail : ordergas@airproducts.com
 www.airproducts.ie

United Kingdom
 Air Products PLC
 2 Millennium Gate, Westmere Drive - Crewe
 Cheshire CW1 6AP
 Tel.: +44 (0) 845 777 8800
 Fax: +44 (1270) 614170
 E-mail: getgas@airproducts.com
 www.airproducts.co.uk

tell me more
www.airproducts.com

© Air Products and Chemicals, Inc. 2004