

Line regulator R2300 Series



↘ **Brass**

↘ **Ultra high inlet pressure**

↘ **High outlet pressure**

↘ This regulator is specially designed for high inlet and outlet pressure applications in non-corrosive gas service. For non-hazardous gases the regulator is supplied as standard with self-venting capability. For hazardous non-corrosive gases a non-venting option is available. The self-venting regulator allows the operator to reduce the pressure setting in a closed system by venting the downstream pressure through the regulator..

Specifications

Material

Body: brass
 Bonnet: brass
 Main seat: VESPEL®
 Vent valve seat: PCTFE
 Trim: 300L stainless steel
 Inlet filter: bronze
 Gauge: brass, 64 mm diameter

Pressure/Temperature rating

Maximum inlet pressure: 415 bar.g
 Temperature range: -40 °C to +75 °C

Connections

Inlet: 1/4 inch NPT female
 Outlet: 1/4 inch NPT female

Flow

CV=0.06
 The flow coefficient expresses the flow capability of the regulator.
 CV is the flow of air in standard ft³/min for each psi of inlet pressure

Design leak rate

< 2 x 10⁻⁸ mbar.l/sec He equivalent

Weight

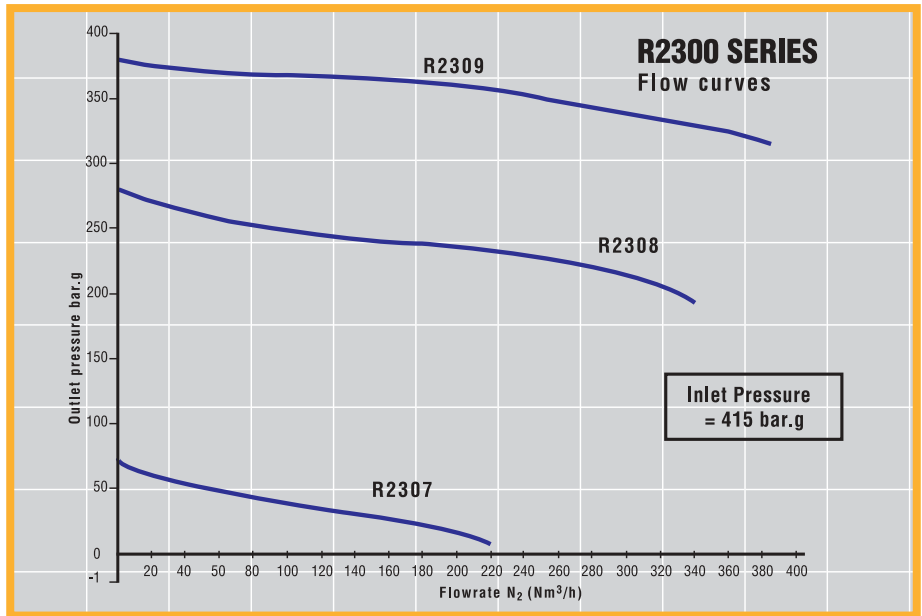
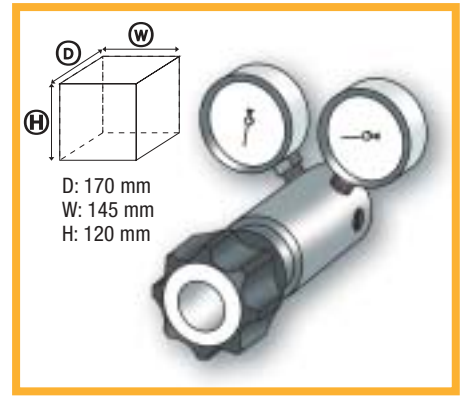
2.4 kg

Installation dimensions

WxHxD: 145 mm x 120 mm x 170 mm

Design features

- Suitable for ultra high inlet & outlet pressures
- Stable operation over a wide range of high outlet pressures
- Self-venting as standard
- Individually tested and certified to assure maximum leak-tightness and reliability
- Panel mounting facility using 2 threaded holes in the rear of the regulator



Ordering information

Order Code	Recommended outlet pressure range (bar.g)	Design capacity at maximum outlet pressure (*) (Nm ³ /h)	Inlet gauge range (bar.g)	Outlet gauge range (bar.g)
R2307	5 to 70	200	0 to 420	0 to 100
R2308	10 to 280	300	0 to 420	0 to 315
R2309	20 to 415	400	0 to 420	0 to 420

(*) For outlet pressure drops, refer to the flow curves.

- OPTIONS**
- C** Cleaning for oxygen service
 - D** Helium leak rate certification
 - E** Panel mounting kit, consists of 2 nuts
 - G** Purge system (see datasheet)

- H** Compression fitting on outlet (available in various sizes)
- M** Mounting on a back plate
- NV** Non-venting version for hazardous, non-corrosive gases



Panel-mounted line regulator

Ireland
 Air Products Ltd.
 52, Broomhill Road - Tallaght - Dublin 24
 Tel. : +353 (1) 463 4242
 Fax : +353 (1) 463 4292
 E-mail : ordergas@airproducts.com
www.airproducts.ie

United Kingdom
 Air Products PLC
 2 Millennium Gate, Westmere Drive - Crewe
 Cheshire CW1 6AP
 Tel.: +44 (0) 845 777 8800
 Fax: +44 (1270) 614170
 E-mail: getgas@airproducts.com
www.airproducts.co.uk

tell me more
www.airproducts.com

© Air Products and Chemicals, Inc. 2004