

Manifolds

M-2000 Series

➤ Manual

➤ Two wings

➤ Brass or stainless steel



➤ Manifolds are used to connect together two or more cylinders to provide greater storage capacity and therefore greater security of supply. This can be important when the cylinders are located far away from the use point.

The M-2000 series manifolds are 2-wing systems permitting manual changeover from one wing to the other. Their typical use would be in non-critical applications where automatic changeover would not be required.

Specifications

Material

Brass or 316L stainless steel

Pressure/Temperature rating

Maximum inlet pressure:
brass series: 310 bar.g
stainless steel series: 230 bar.g
Temperature range: -40 °C to +74 °C

Connections

Inlet: cylinder connection + flexible
Outlet: 1/4 inch NPT female
Relief valve: 1/4 inch NPT male

Flexibles

For oxygen service: 1.5 meter,
Teflon®/stainless steel
For other services: 1 meter,
316L stainless steel

Flow

CV=0.06
The flow coefficient expresses the flow capability of the manifold.
CV is the flow of air in standard ft³/min for each psi of inlet pressure

Weight

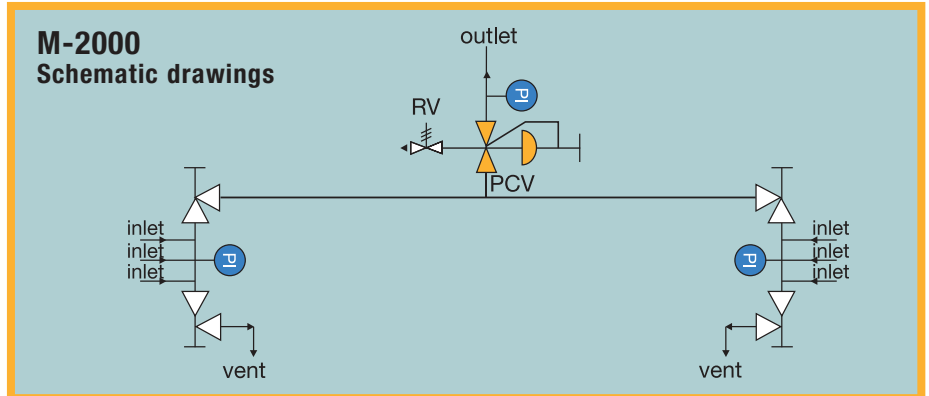
9.0 kg

Installation dimensions

WxHxD : 450 mm x 280 mm x 200 mm

Design features

- Unique “Duobloc” valve design to minimise contamination and maximize system integrity
- High pressure all stainless steel flexibles
- Delivered with operating guidelines for easier use
- Flow diagrams displayed on the equipment for easier use
- Relief valve fitted as standard for protection against over pressurisation
- Individually tested and certified to assure maximum leak-tightness and reliability



Ordering information

Ordering code: M-2 **X** **Y** **Z**

X	Y	Z	Maximum outlet pressure	Design capacity at maximum outlet pressure (*) (Nm ³ /h)	Inlet gauge range (**) (bar.g)	Outlet gauge range (bar.g)
1	4 = brass	1	▶ 0.7 bar.g	7	0 - 315	-1.0 to +1.5
2	7 = stainless	2	▶ 1.7 bar.g	18	0 - 315	-1.0 to +3.0
3	steel	3	▶ 3.5 bar.g	33	0 - 315	-1.0 to +5.0
		4	▶ 7 bar.g	62	0 - 315	-1.0 to +9.0
		5	▶ 17 bar.g	106	0 - 315	0.0 to +25.0
		6	▶ 35 bar.g	108	0 - 315	0.0 to +40.0

For example: a M-2242 manifold is a 2-wing manual brass manifold M2000 equipped with 2 flexibles on each wing and designed for max. 1.7 bar.g pressure applications.

Higher pressure, high flow or customized models also available. Please contact Air Products for details.

(*) design capacity calculated at 300 bar.g inlet pressure

(**) 0 to 415 bar.g for brass series

OPTIONS	C Cleaning for oxygen service	PS Pressure switch only	● Cylinder clamps and belts on a rail
	D Helium leak rate certification	P Pressure switch with Alarm Box	● Outlet valve
	F Extra 5 micron inlet filter	R No relief valve	● Other flexible lengths
	H Compression fitting on outlet (available in various sizes)		

Please contact Air Products and specify on the order.

Ireland
Air Products Ltd.
52, Broomhill Road - Tallaght - Dublin 24
Tel. : +353 (1) 463 4242
Fax : +353 (1) 463 4292
E-mail : ordergas@airproducts.com
www.airproducts.ie

United Kingdom
Air Products PLC
2 Millennium Gate, Westmere Drive - Crewe
Cheshire CW1 6AP
Tel.: +44 (0) 845 777 8800
Fax : +44 (1270) 614170
E-mail : getgas@airproducts.com
www.airproducts.co.uk

tell me more
www.airproducts.com

© Air Products and Chemicals, Inc. 2004