

Cylinder regulator R300 Series

➤ **Chrome plated brass**

➤ **High inlet pressure**

➤ **Precise outlet pressure**

➤ **Low flowrate**



➤ This series of chrome plated brass, two-stage regulators is ideally suited to laboratory applications such as gas chromatography and instrumentation calibration. The regulator provides an economical means of achieving precise outlet pressure control and is entirely suitable for point of use control of high purity non-corrosive gases.

Specifications

Material

Body: chrome plated brass
 Bonnet: chrome plated brass
 Seat: PCTFE / EPDM
 Inlet filter: 316L stainless steel or brass
 for O₂ service
 Piston: brass
 Gauge: chrome plated brass,
 50 mm diameter
 Outlet valve: chrome plated brass

Pressure/Temperature rating

Maximum inlet pressure: 230 bar.g
 Temperature range:
 -20 °C to +60 °C

Connections

Inlet: cylinder connection
 Outlet: 1/4 inch NPT male

Design leak rate

< 1 x 10⁻⁹ mbar.l/sec He equivalent

Weight

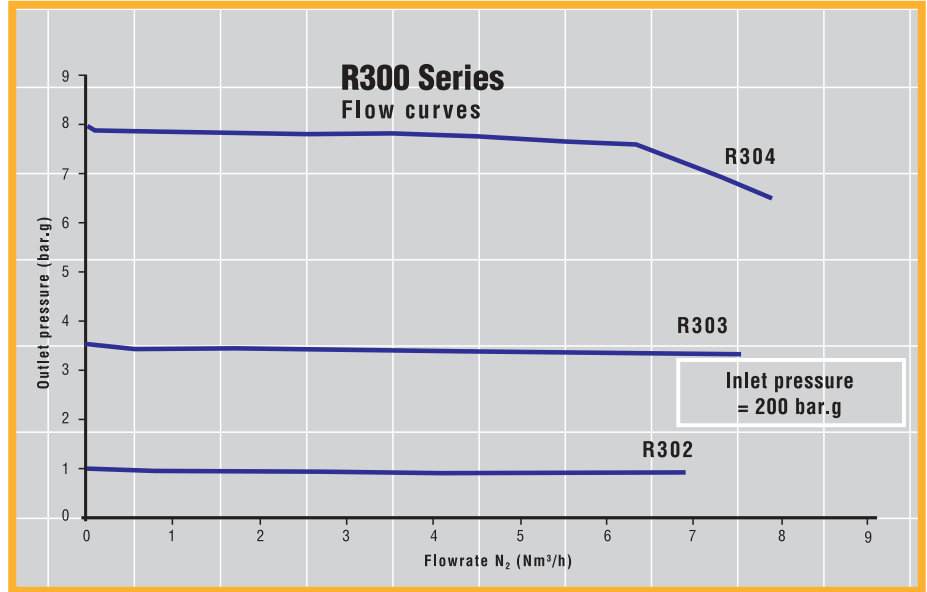
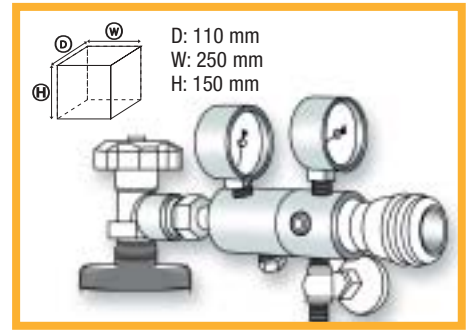
1.8 kg

Dimensions

WxHxD: 250 mm x 150 mm x 110 mm

Design Features

- Two-stage for maximum outlet pressure stability
- High standard chrome finish
- Compact design
- Lubricated piston
- Inlet filter for maximum reliability
- Ultrasonically cleaned for high purity gas handling
- Relief valve fitted as standard for protection against over pressurisation
- Individually tested and certified to assure maximum leak-tightness and reliability



Ordering Information

Order Code	Recommended outlet pressure range (bar.g)	Design capacity at maximum outlet pressure (*) (Nm ³ /h)	Inlet gauge range (bar.g)	Outlet gauge range (bar.g)
R302	0.05 to 1.0(**)	7	0 to 315	-1.0 to +1.5
R303	0.1 to 3.5	7.5	0 to 315	0.0 to +5.0
R304	0.5 to 8.0	8	0 to 315	0.0 to +15.0

(*) For outlet pressure drops, refer to the flow curves.

(**) Very low outlet pressure version (100 mbar) also available. Contact Air Products for details.

OPTIONS

- C** Cleaning for oxygen service
- D** Helium leak rate certification
- F** Extra 5 micron inlet filter
- G** Purge systems (See datasheet)
- H** Compression fitting on outlet (available in various sizes)

Ireland
 Air Products Ltd.
 52, Broomhill Road - Tallaght - Dublin 24
 Tel. : +353 (1) 463 4242
 Fax : +353 (1) 463 4292
 E-mail : ordergas@airproducts.com
www.airproducts.ie

United Kingdom
 Air Products PLC
 2 Millennium Gate, Westmere Drive - Crewe
 Cheshire CW1 6AP
 Tel.: +44 (0) 845 777 8800
 Fax: +44 (1270) 614170
 E-mail: getgas@airproducts.com
www.airproducts.co.uk

tell me more
www.airproducts.com

© Air Products and Chemicals, Inc. 2004