

Drop point regulators **Series DP40**

➤ *Chrome plated brass*

➤ *Low inlet pressure*

➤ *Single-stage*



➤ This series of cost effective, low inlet pressure regulators has been specifically designed for installation at point-of-use in high purity gas applications. Each model offers exceptional pressure and flow control and would typically be installed at the end of a gas distribution line, prior to the point at which the gas is used, e.g. an analysis instrument.

Specifications

Material

Body: chrome plated brass
Bonnet: aluminium
Seat: EPDM
Gauge: chrome plated brass

Pressure/Temperature rating

Maximum inlet pressure: 25 bar.g
Maximum outlet pressure:
0.1, 1, 3 or 8 bar.g
Temperature range: -20°C to + 60°C

Connections

Inlet connection: 3/8 inch BSP female
Outlet connection: 3/8 inch BSP female

Design leak rate

< 1 x 10⁻⁸ mbar.L/sec He equivalent

Weight

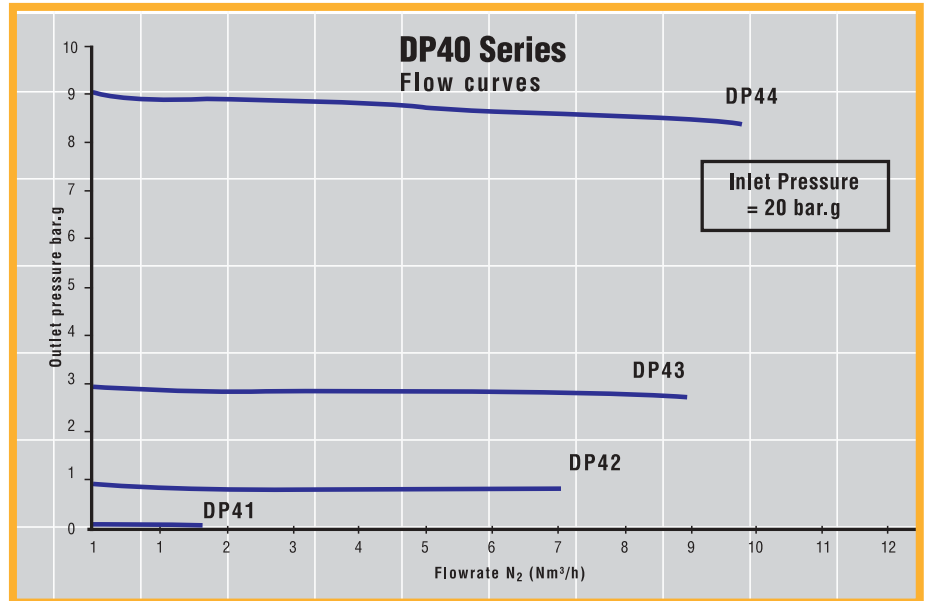
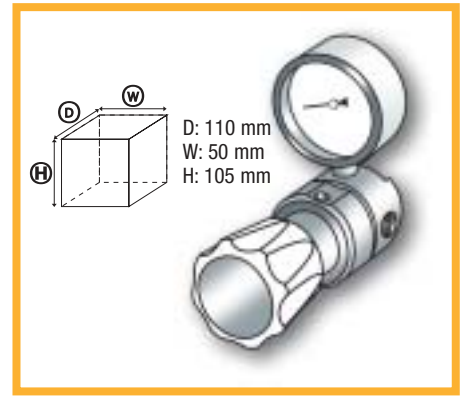
0.6 kg

Installation dimensions

W x H x D: 50 mm x 105 mm x 110 mm

Design features

- Individually tested and certified to assure maximum leak-tightness and reliability
- Panel mounting facility using 2 threaded holes in the rear of the regulator
- Inlet at rear and outlet at bottom



Ordering information

Order code	Recommended outlet pressure range (bar.g)	Design capacity at maximum outlet pressure (*) (Nm ³ /h)	Outlet gauge range (bar.g)
DP41	0.01 to 0.1	1.5	0.0 to 0.16
DP42	0.1 to 1.0	7	0.0 to 1.5
DP43	0.1 to 3.0	9	0.0 to 5.0
DP44	0.5 to 8.0	10	0.0 to 15.0

(*) For outlet pressure drops, refer to the flow curves

OPTIONS

- C** Cleaning for oxygen service
- D** Helium leak rate certification
- E** Panel mounting kit, consists of 2 nuts
- H** Compression fitting on outlet (available in various sizes)
- M** Mounting on a back plate (see datasheet)
- N** Pre-mounted on a frame with an isolation inlet valve and compression fittings
- L** Side inlet and outlet



Drop point regulators on panel (Option N)

Ireland
Air Products Ltd.
52, Broomhill Road - Tallaght - Dublin 24
Tel. : +353 (1) 463 4242
Fax : +353 (1) 463 4292
E-mail : ordergas@airproducts.com
www.airproducts.ie

United Kingdom
Air Products PLC
2 Millennium Gate, Westmere Drive - Crewe
Cheshire CW1 6AP
Tel.: +44 (0) 845 777 8800
Fax: +44 (1270) 614170
E-mail: getgas@airproducts.com
www.airproducts.co.uk

tell me more
www.airproducts.com

© Air Products and Chemicals, Inc. 2004