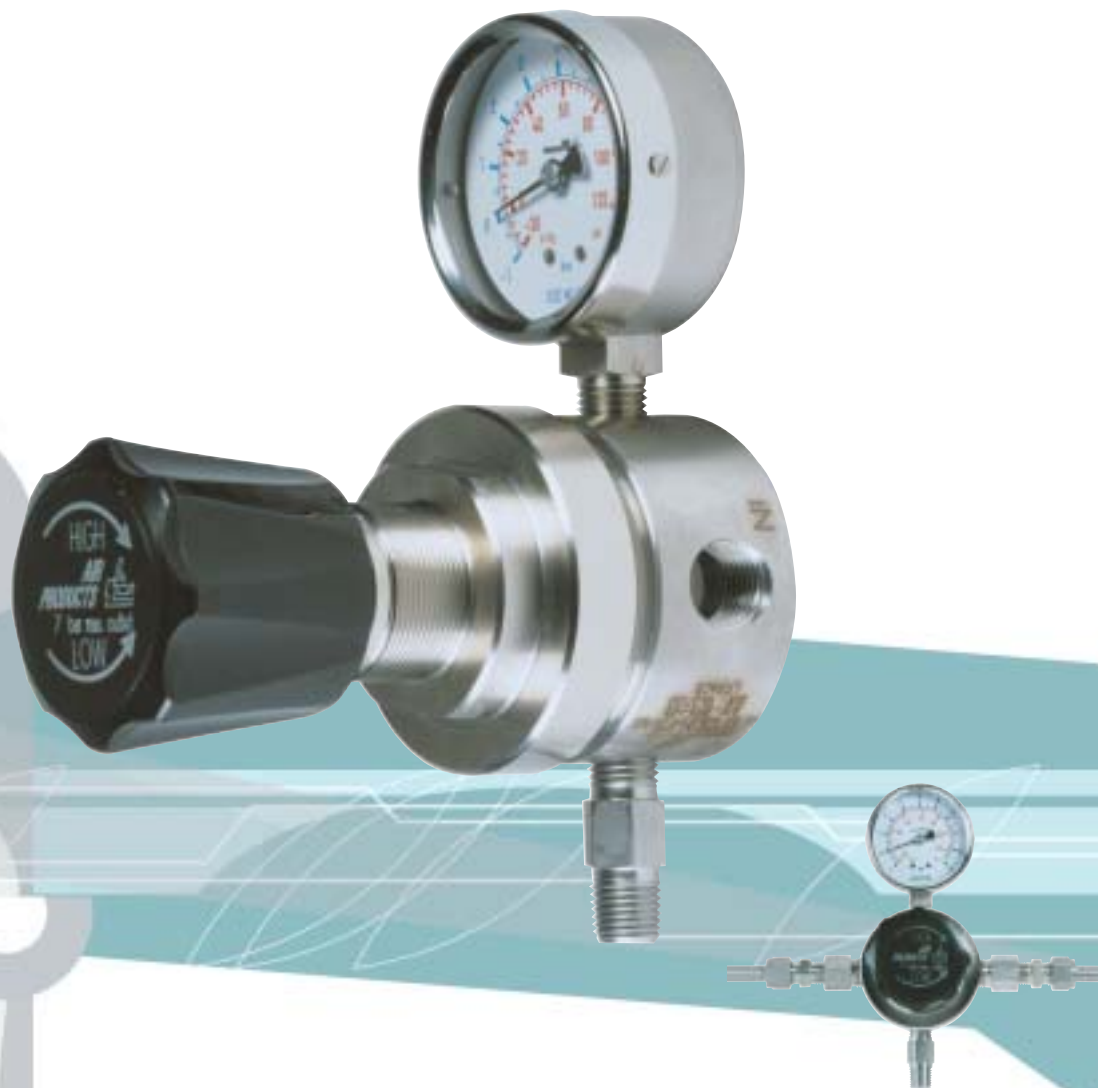


Line regulator **LR3650 Series**

↘ *Stainless steel*

↘ *Medium inlet pressure*

↘ *High flowrate*



- ↘ This series of stainless steel regulators is designed to handle high flowrates of gases including corrosives. It features a large main valve and a flow capacity of CV=1.0. The main valve is balanced to minimise the effect on inlet pressure fluctuations on outlet pressure.

Specifications

Material

Body: 316L stainless steel
 Bonnet: nickel plated brass
 Seat: Teflon®
 Diaphragm: 316L stainless steel
 Gauge: 316L stainless steel,
 64 mm diameter

Pressure/Temperature rating

Maximum inlet pressure: 34 bar.g
 Temperature range: -40 °C to +74 °C

Connections

Inlet: 3/8 inch NPT female
 Outlet: 3/8 inch NPT female
 Relief valve: 1/4 inch NPT male

Flow

CV=1.0
 The flow coefficient expresses the flow capability of the regulator.
 CV is the flow of air in standard ft³/min for each psi of inlet pressure

Design leak rate

<2 x 10⁻⁸ mbar.l/sec He equivalent

Weight

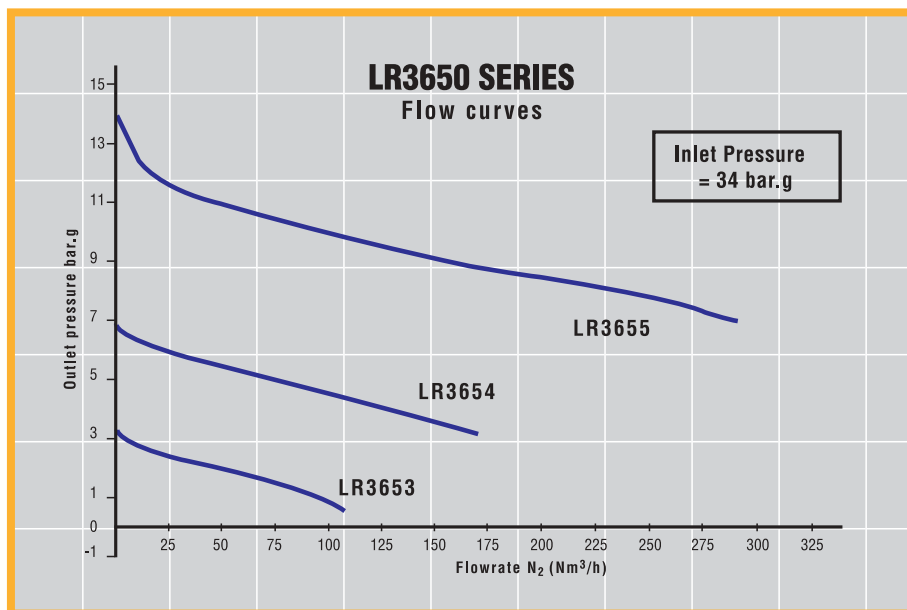
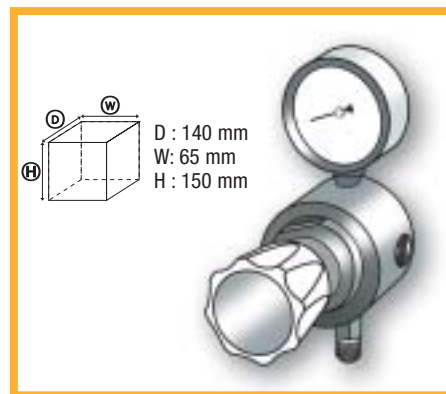
1.6 kg

Installation dimensions

WxHxD: 65 mm x 150 mm x 140 mm

Design features

- Ultrasonically cleaned for high purity gas handling
- Relief valve fitted as standard for protection against over pressurisation
- Individually tested and certified to assure maximum leak-tightness and reliability
- Panel mounting facility using 2 threaded holes in the rear of the regulator



Ordering information

Order Code	Recommended outlet pressure range (bar.g)	Design capacity at maximum outlet pressure (*) (Nm ³ /h)	Outlet gauge range (bar.g)
LR3651	0.1 to 0.7	20	-1.0 to +1.5
LR3652	0.2 to 1.7	40	-1.0 to +3.0
LR3653	0.5 to 3.5	80	-1.0 to +5.0
LR3654	1.0 to 7.0	150	-1.0 to +9.0
LR3655	5.0 to 17.0	280	0.0 to +25.0

(*) For outlet pressure drops, refer to the flow curves.

OPTIONS

- C** Cleaning for oxygen service
- D** Helium leak rate certification
- E** Panel mounting kit, consists of 2 nuts
- H** Compression fitting on outlet (available in various sizes)
- M** Mounting on a back plate
- R** No relief valve



Panel-mounted line regulator

Ireland
 Air Products Ltd.
 52, Broomhill Road - Tallaght - Dublin 24
 Tel. : +353 (1) 463 4242
 Fax : +353 (1) 463 4292
 E-mail : ordergas@airproducts.com
 www.airproducts.ie

United Kingdom
 Air Products PLC
 2 Millennium Gate, Westmere Drive - Crewe
 Cheshire CW1 6AP
 Tel.: +44 (0) 845 777 8800
 Fax: +44 (1270) 614170
 E-mail: getgas@airproducts.com
 www.airproducts.co.uk

tell me more
www.airproducts.com

© Air Products and Chemicals, Inc. 2004