

## *Line regulator* **LR3500 Series**

➤ Brass

➤ High inlet pressure

➤ High flowrate



- This series of brass regulators is designed to handle high flowrates of non-corrosive gases. It features a large main valve and a flow capacity of CV=1.0. The main valve is balanced to minimise the effect on inlet pressure fluctuations on outlet pressure.

## Specifications

### Material

Body: brass  
Bonnet: nickel plated brass  
Seat: Teflon®  
Diaphragm: 316L stainless steel  
Gauge: brass, 64 mm diameter

### Pressure/Temperature rating

Maximum inlet pressure: 210 bar.g  
Temperature range: -40 °C to +74 °C

### Connections

Inlet: 3/8 inch NPT female  
Outlet: 3/8 inch NPT female  
Relief valve: 1/4 inch NPT male

### Flow

CV=1.0  
The flow coefficient expresses the flow capability of the regulator.  
CV is the flow of air in standard ft<sup>3</sup>/min for each psi of inlet pressure

### Design leak rate

<2 x 10<sup>-8</sup> mbar.l/sec He equivalent

### Weight

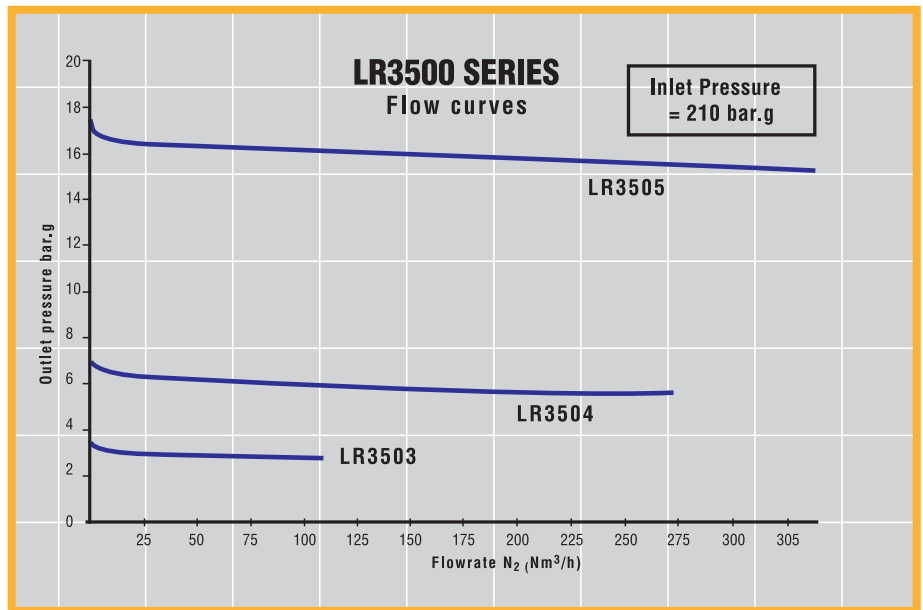
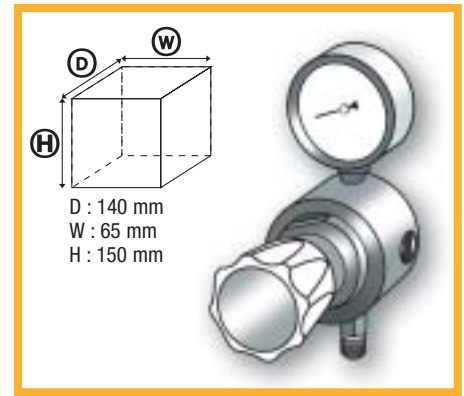
1.6 kg

### Installation dimensions

WxHxD : 65 mm x 150 mm x 140 mm

## Design features

- Ultrasonically cleaned for high purity gas handling
- Relief valve fitted as standard for protection against over pressurisation
- Individually tested and certified to assure maximum leak-tightness and reliability
- Panel mounting facility using 2 threaded holes in the rear of the regulator



## Ordering information

Order Code	Recommended outlet pressure range (bar.g)	Design capacity at maximum outlet pressure (*) (Nm <sup>3</sup> /h)	Outlet gauge range (bar.g)
LR3501	0.1 to 0.7	40	-1.0 to +1.5
LR3502	0.2 to 1.7	80	-1.0 to +3.0
LR3503	0.5 to 3.5	130	-1.0 to +5.0
LR3504	1.0 to 7.0	250	-1.0 to +9.0
LR3505	5.0 to 17.0	340	0.0 to +25.0

(\*) For outlet pressure drops, refer to the flow curves.

### OPTIONS

- C** Cleaning for oxygen service
- D** Helium leak rate certification
- E** Panel mounting kit, consists of 2 nuts
- H** Compression fitting on outlet (available in various sizes)
- M** Mounting on a back plate
- R** No relief valve



Panel-mounted line regulator

**Ireland**  
Air Products Ltd.  
52, Broomhill Road - Tallaght - Dublin 24  
Tel. : +353 (1) 463 4242  
Fax : +353 (1) 463 4292  
E-mail : ordergas@airproducts.com  
www.airproducts.ie

**United Kingdom**  
Air Products PLC  
2 Millennium Gate, Westmere Drive - Crewe  
Cheshire CW1 6AP  
Tel.: +44 (0) 845 777 8800  
Fax : +44 (1270) 614170  
E-mail : getgas@airproducts.com  
www.airproducts.co.uk

**tell me more**  
[www.airproducts.com](http://www.airproducts.com)

© Air Products and Chemicals, Inc. 2004