

## ***Cylinder regulator R350 Series***

➤ *Stainless steel*

➤ *High inlet pressure*

➤ *Precise outlet pressure*

➤ *Low flowrate*



➤ This series of stainless steel, two-stage regulators is ideally suited to laboratory applications such as gas chromatography and instrumentation calibration. The regulator provides an economical means of achieving precise outlet pressure control and is entirely suitable for point of use control of high purity corrosive gases and gas mixtures. The R350 series is not suitable for oxygen service.

## Specifications

### Material:

Body: 316L stainless steel  
 Bonnet: 316L stainless steel  
 Seat: PCTFE / EPDM  
 Inlet filter: 316L stainless steel  
 Piston : 316L stainless steel  
 Gauge: 316L stainless steel,  
 50 mm diameter  
 Outlet valve: 316L stainless steel

### Pressure/Temperature rating

Maximum inlet pressure: 230 bar.g  
 Temperature range:  
 -20 °C to +60 °C

### Connections

Inlet: cylinder connection  
 Outlet: 1/4 inch NPT male

### Design leak rate

< 1 x 10<sup>-9</sup> mbar.l/sec He equivalent

### Weight

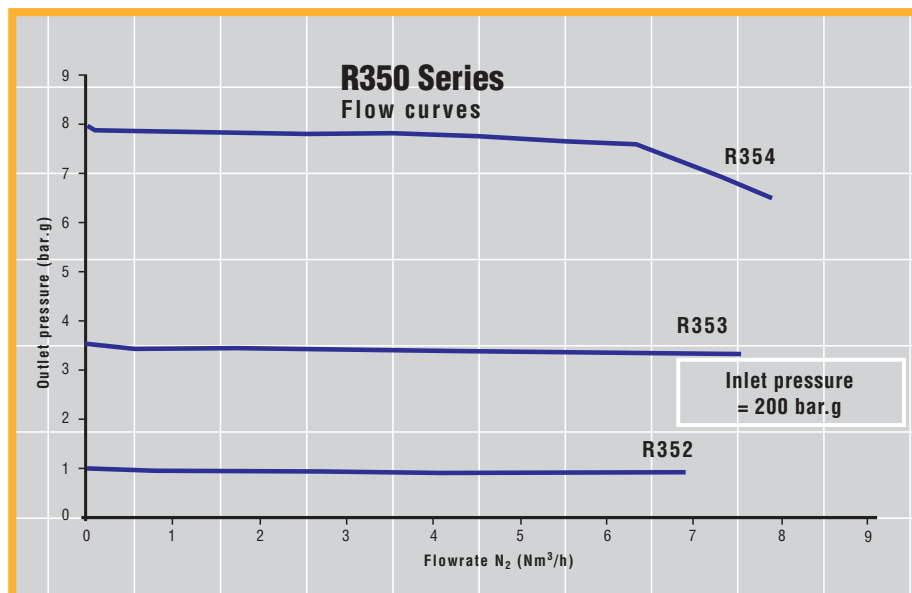
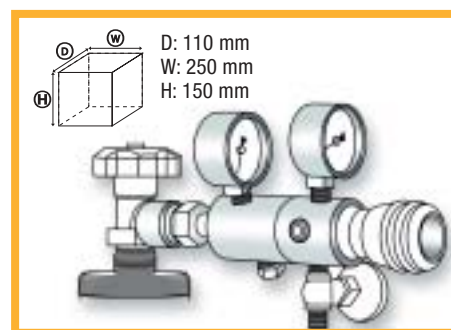
1.8 kg

### Dimensions

WxHxD: 250 mm x 150 mm x 110 mm

## Design Features

- Two-stage for maximum outlet pressure stability
- High standard stainless steel finish
- Compact design
- Lubricated piston
- Inlet filter for maximum reliability
- Ultrasonically cleaned for high purity gas handling
- Relief valve fitted as standard for protection against over pressurisation
- Individually tested and certified to assure maximum leak-tightness and reliability



## Ordering Information

Order Code	Recommended outlet pressure range (bar.g)	Design capacity at maximum outlet pressure (*) (Nm <sup>3</sup> /h)	Inlet gauge range (bar.g)	Outlet gauge range (bar.g)
R352	0.05 to 1.0(**)	7	0 to 315	-1.0 to +1.5
R353	0.1 to 3.5	7.5	0 to 315	0.0 to +5.0
R354	0.5 to 8.0	8	0 to 315	0.0 to +15.0

(\*) For outlet pressure drops, refer to the flow curves.

(\*\*) Very low outlet pressure version (100 mbar) also available. Contact Air Products for details.

### OPTIONS

- D** Helium leak rate certification
- F** Extra 5 micron inlet filter
- G** Purge systems (see datasheet)
- H** Compression fitting on outlet (available in various sizes)

**Ireland**  
 Air Products Ltd.  
 52, Broomhill Road - Tallaght - Dublin 24  
 Tel. : +353 (1) 463 4242  
 Fax : +353 (1) 463 4292  
 E-mail : [ordergas@airproducts.com](mailto:ordergas@airproducts.com)  
[www.airproducts.ie](http://www.airproducts.ie)

**United Kingdom**  
 Air Products PLC  
 2 Millennium Gate, Westmere Drive - Crewe  
 Cheshire CW1 6AP  
 Tel.: +44 (0) 845 777 8800  
 Fax: +44 (1270) 614170  
 E-mail: [getgas@airproducts.com](mailto:getgas@airproducts.com)  
[www.airproducts.co.uk](http://www.airproducts.co.uk)

**tell me more**  
[www.airproducts.com](http://www.airproducts.com)

© Air Products and Chemicals, Inc. 2004