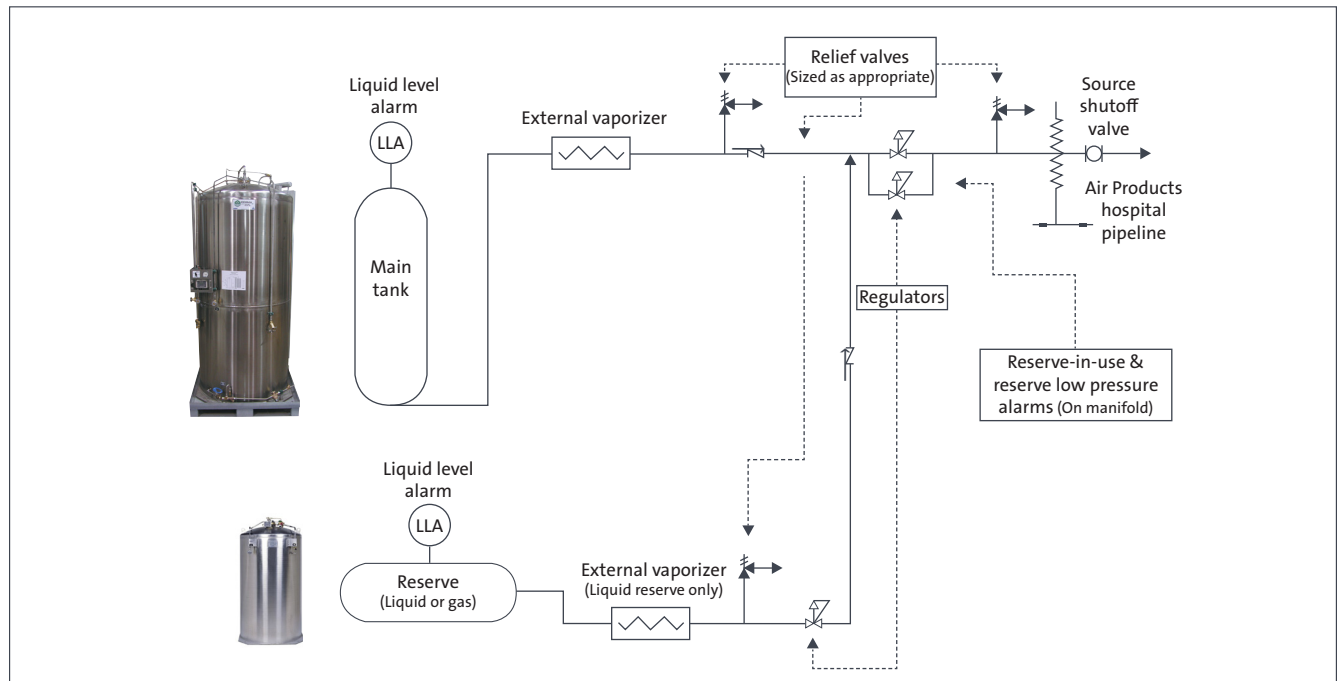


CryoEase® Microbulk Solutions Standard Installation



For Medical Oxygen, USP and Nitrogen, NF Systems



Includes:

Delivery of standard equipment to site for project completion:

- Optimized storage tank with top and bottom fill to maintain pressure during fill procedure
- Tie-in to houseline
- Up to 15 feet of piping to customer-provided service shut-off valve
- Houseline protection as required by National Fire Prevention Association (NFPA) 99
- Alarm switches
- Duplex houseline regulators
- Operating manual

Optional extras:

- TELALERT® telemetry
- External vaporizer
- Relief valve sizing

Excludes:

- Civil or site work
- Permit processing
- Electrical and phone work
- Alarm system (per NFPA 99)
- Third party medical system certification
- Master alarm panels and alarm signal wiring

Notes:

- All customer work for installation and commissioning of equipment should be completed prior to installation date
- System designed to meet flow conditions and operating patterns as detailed in the site survey

For more information,
please contact us at:

Corporate Headquarters

Air Products and Chemicals, Inc.
7201 Hamilton Boulevard
Allentown, PA 18195-1501
T 800-654-4567
F 800-272-4449
gigmrktg@airproducts.com

Figure 1: CryoEase® Microbulk Solutions

A concrete pad is required for all oxygen systems in medical service. Placement of the system on the site will be determined by safety and ease of driver access. Final pad sizing and design depends on equipment required (vaporizers, pressure control manifolds, etc.) and will be determined by an Air Products engineer. Also, there are foundation requirements that must be evaluated by an Air Products engineer.

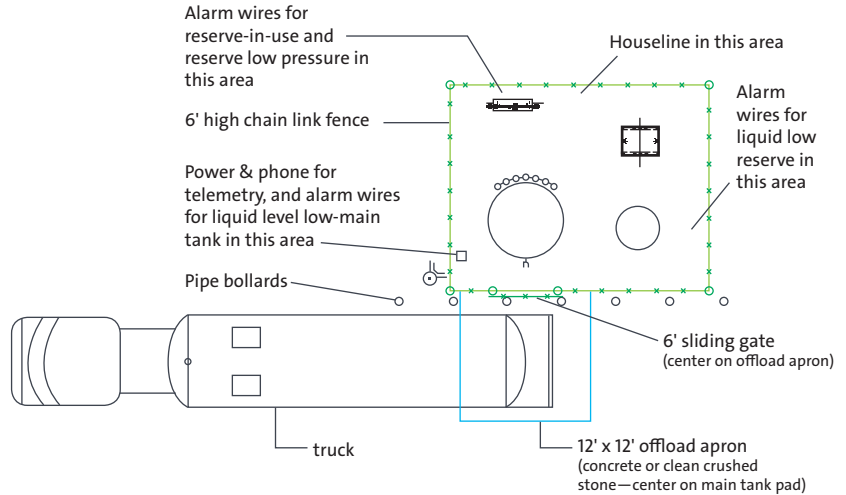


Table 1: Tank Specifications

Model	Max. Operating Pressure	Storage Capacity (O ₂)	Storage Capacity (N ₂)	Gas Delivery Rate	Diameter	Height	Tare Weight
APM-80	250 psig	9,100 scf	7,384 scf	500 scfh	26"	68"	450 lbs
APM-120	250 psig	11,124 scf	10,335 scf	575 scfh	30"	68"	688 lbs
APM-260	250 psig	30,070 scf	23,370 scf	960 scfh	42"	81"	1,750 lbs
APM-400	250 psig	44,220 scf	35,791 scf	1,350 scfh	48"	91"	3,080 lbs

Count On Us

- Customer service and maintenance support for all Air Products equipment available 24/7
- TELALERT® telemetry tank monitoring to ensure reliable supply



tell me more
www.airproducts.com/microbulk